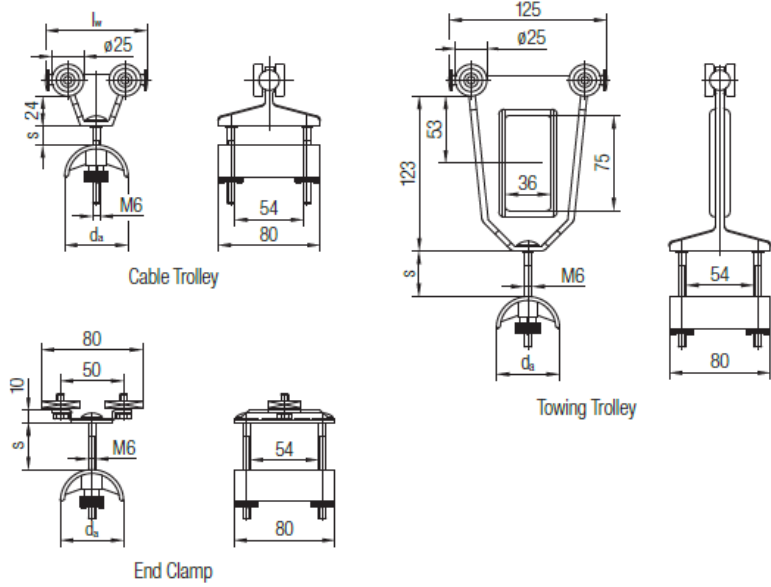


## Plastic Cable Trolleys



### Technical details

- Trolley body and cable supports: plastic
- Hardware: galvanized steel
- Temperature range: -30°C to +60°C



| Cable Trolley<br>Order No. | [kg] | Towing Trolley<br>Order No. | [kg] | End Clamp<br>Order No. | [kg] | d <sub>s</sub><br>[mm] | l <sub>w</sub><br>[mm] | s<br>[mm] | Max. Load<br>Capacity<br>[kg] | Max.<br>Travel Speed<br>[m/min] | Roller<br>Type |
|----------------------------|------|-----------------------------|------|------------------------|------|------------------------|------------------------|-----------|-------------------------------|---------------------------------|----------------|
|                            |      |                             |      |                        |      |                        |                        |           |                               |                                 |                |
| 023910                     | 0.11 | 023915                      | 0.15 | 023919                 | 0.18 | 50                     | 80                     | 15        | 6.3                           | 40                              | (1)            |
| 023943                     | 0.12 | 023958                      | 0.16 | 023269*                | 0.21 | 50                     | 80                     | 15        |                               |                                 |                |
| 023953                     | 0.13 | 023958                      | 0.16 | 023269*                | 0.21 | 50                     | 125                    | 36        |                               |                                 |                |
| 023973                     | 0.15 | 023978                      | 0.18 | 023279*                | 0.22 | 80                     | 125                    | 22        | 10.0                          | 40                              | (3)            |
| 023941*                    | 0.19 | 023956*                     | 0.23 | 023269*                | 0.21 | 50                     | 80                     | 15        |                               |                                 |                |
| 023951                     | 0.19 | 023956*                     | 0.23 | 023269*                | 0.21 | 50                     | 125                    | 36        |                               |                                 |                |
| 023971                     | 0.23 | 023976                      | 0.25 | 023279*                | 0.22 | 80                     | 125                    | 22        |                               |                                 |                |

### Roller type

- (1) Plastic roller and plastic friction bearing
- (2) Plastic roller and bronze friction bearing
- (3) Ball bearing, galvanized

\*Standard range